

S C H Ü S S L E R

toolmanic

INTELLIGENT SHRINKING SOLUTIONS



MADE IN GERMANY



www.k-schuessler.de

sk
the μ -maker
SCHÜSSLER



toolmanic S30

the μ -maker

- μ Reliable
- μ Innovative
- μ Precise



toolmanic – Intelligent shrinking technology from a single source

engineered by SCHÜSSLER

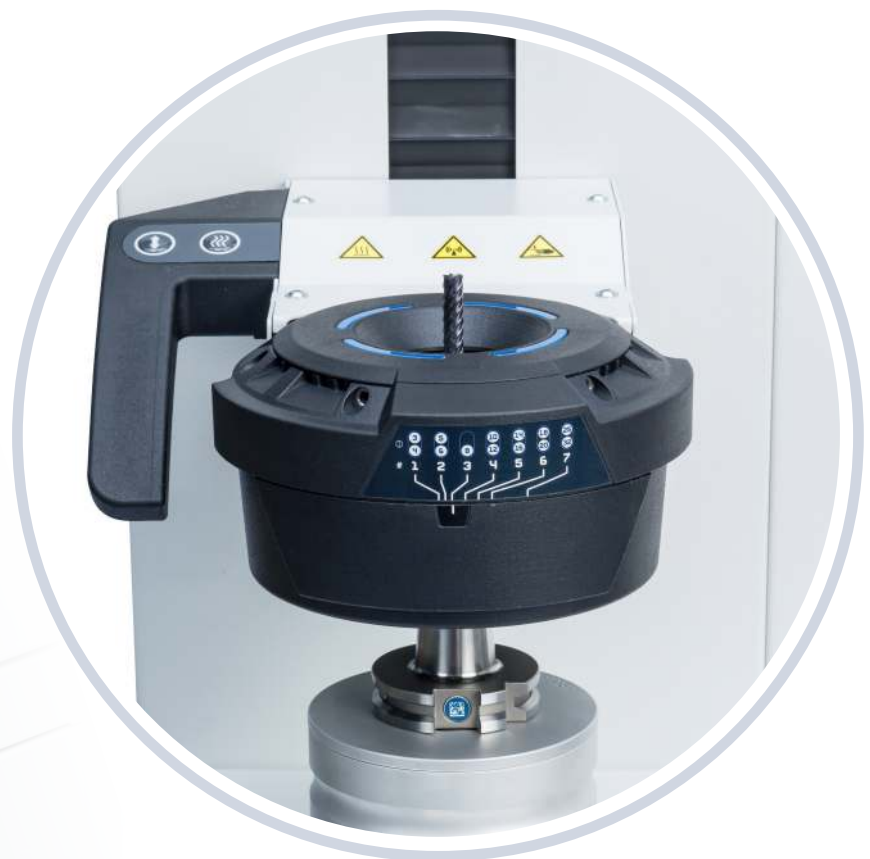
The tool shrinking technology has proven itself for years in high-precision machining. Schüssler offers you a complete solution for all types of shrink fit chucks.

The heart of the inductive shrink fit technology is the induction coil. The patented induction coil of the toolmanic is equipped with two separate windings, this allows them to be controlled independently of each other, resulting in an optimized heating temperature and heat distribution at the clamping area of the chuck. Therefore, shorter cycle times and a longer tool life of your chucks can be achieved.

Since Schüssler offers everything from a single source, all components such as the shrink fit machine, base holder and the shrink fit chucks are perfectly complemented to each other. As a result, they obtain process reliability and consistent high quality in the shrinking processes. This guarantees highest runout and repetition accuracy for maximum tool life and protection of the machine spindle.



MADE IN GERMANY



THE RIGHT DEVICE FOR EVERY APPLICATION

The toolmanic series offers the right solution for every application. The S20 as an inexpensive entry into modern inductive shrink fit technology, up to the Premiumline S30 for shrink fit technology at the highest levels.



S20

**ENTRY-LEVEL MODEL:
SHRINKING TECHNOLOGY
IN PURE FUNCTIONALITY**

The Schüssler S20 is the perfect inexpensive entry point for your production into the inductive shrinking technology. The basic version features only the shrink fit device without a cooling unit. That is shrinking technology reduced to pure functionality.

The toolmanic S20 can shrink tools up to a length of 420 mm and diameters from 3 to 32mm. Optional expansion with a cooling unit with three contact cooling adapters.



C20

**COOLING UNIT:
GENTLE COOLING DUE TO
CONTACT COOLING**

The cooling unit offers cooling space for up to 3 shrink fit chucks with different diameters at the same time. The tool holders are cooled with a contact cooling technology, which is gentle on tools and without direct contact to water. This results in no deformation of the chuck and the runout accuracy is preserved. The cooling adapters are kept cool with a continuous flow of water.

Due to the modular system the cooling unit can easily be adapted to the toolmanic S20. Because of the identical constructional components, a ground-level connection is guaranteed.



S20C

MIDDLE CLASS:
UNIVERSAL SHRINK FIT DEVICE
FOR YOUR PRODUCTION

The Schüssler S20C is the perfect mid-range shrink fit unit for your production. Due to the combination of the induction coil and integrated cooling adapters simultaneous shrinking and cooling is possible.

The toolmanic S20C can shrink tools up to a length of 420 mm and with diameters from 3 to 32 mm.

Cooling is done using contact cooling technology which is gentle on the tools and guarantees high runout accuracy.



S30

PREMIUMLINE:
INNOVATIVE HIGH END
SHRINKING TECHNOLOGY

The Schüssler S30 is the premium product of the toolmanic series. Here, the induction coil can optionally be exchanged for an iris coil. With one turn you can set the coil to your desirable size of the shrink fit chuck. The result is the coil fits perfectly to the chuck and only the intended area is heated.

In the base cabinet the water cycle cooler and accessories can be stored. It is possible to shrink tools up to a length of 560 mm and with diameters from 3 to 32 mm. Shrink parameters can be set and monitored via a 12,5" workshop-compatible touchscreen, to shrink as efficiently as possible.

The toolmanic S30 is also available as a table-top unit without the base cabinet.

LEAD FOR YOUR PRODUCTION

For individual components, Schüssler relies exclusively on brand components or self-made components and a reliable assembly process. Schüssler promises a long service life and permanently highest precision.

12,5" Touchscreen

Workshop-compatible touch display for precise adjustment of shrinking parameters for optimal shrink results. Operable with gloves.

High work ergonomics

Efficient and easy operation of the smooth-running vertical guide of the coil holder. With only one hand, the coil can be moved, and the shrinking process can be started. The clamping is done electrically and no compressed air is required.



Base cabinet

Storage area for accessories and the water cycle cooler. Space-saving and everything in one place.





Cooling Adapters

Our cooling adapters with reducing sleeves are suitable for every type of shrink fit chuck. The heat is evenly and gently withdrawn from the tool holder. Without direct contact to water the tool holder stays dry and stainless. There is no deformation of the shrink fit chuck and the runout accuracy is preserved.



Reducing Sleeves

for the cooling adapters guarantee energy-efficient cooling for all diameters.

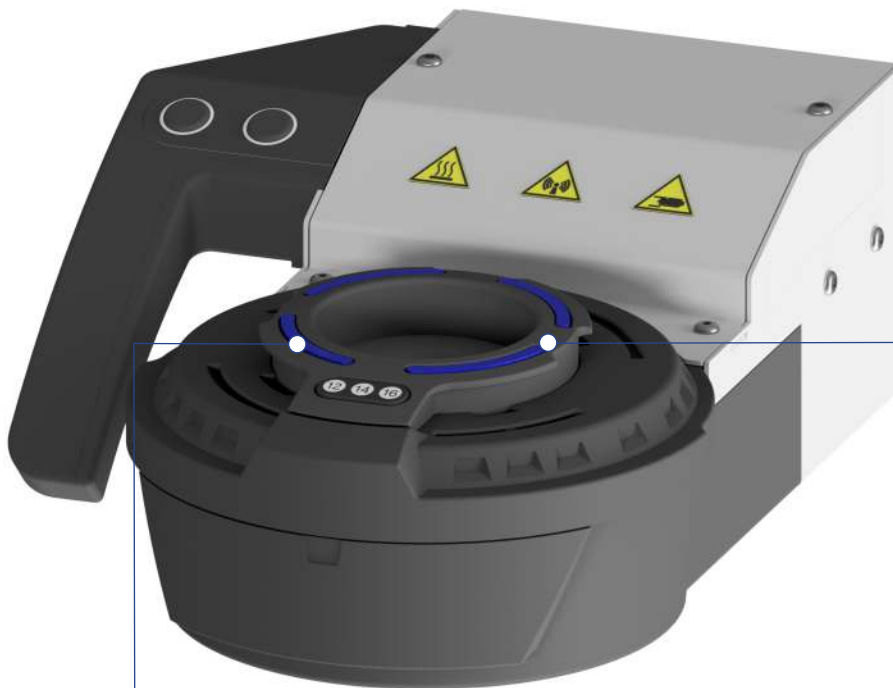
Length pre-setting

Adapter for quick and simple presetting of the protruding length of the tool up to a length of 150 mm.

* Illustration shows equipment options.

PATENTED COIL TECHNOLOGY

The coil technology is the heart of the toolmanic. With a new generation of coil technology, Schüssler offers an efficient, environmentally friendly, and tool-friendly shrinking process. Optimized heating parameters and shorter heating times guarantee optimal runout accuracy and a longer tool-life of the shrink fit chuck. Due to 25-30 % reduced energy consumption compared to other models the shrinking process is also significantly more environmentally friendly and energy efficient.

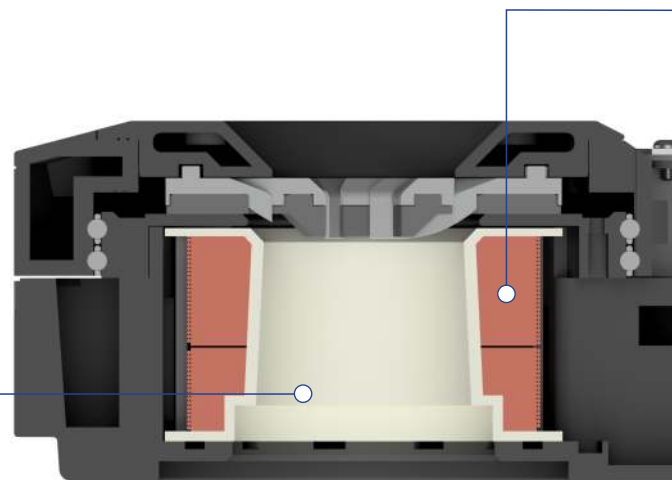


Stop discs
are encased in plastic and shock-proof.

Standard coils
with interchangeable stop discs.
Just five stop discs are enough to
adapt the coil to each chuck from 3
to 32 mm of diameter.

Optimized energy input
into the shrink fit chuck, as only
the relevant clamping area is heated.
Less heat radiation downwards.*

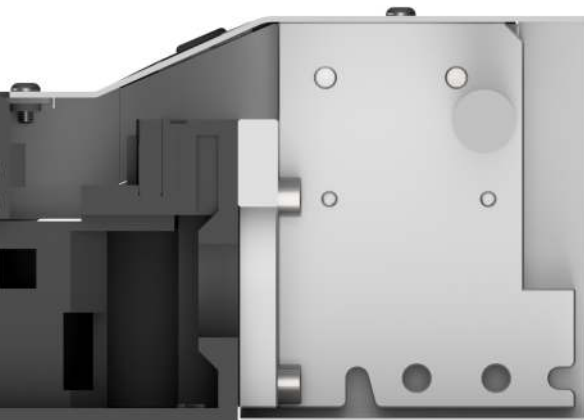
* Only applicable when using the shrinking
parameters of the S30.





Adjustable coil
with monitoring of the coil position per diameter of the chuck.

Iris coil
With the help of the iris coil, the stop discs are redundant. With one turn the adjustable coil can be set to the size of the shrink fit chuck. This results in a precise heating of only the intended area of the chuck. The result is a perfect shrinking process for the longest tool life.



Induction coil with two separate windings
The windings are built separately and can therefore be also controlled separately. Thus, the shrinking process can be done by either the upper or the lower or with both windings together. That leads to optimized heating parameters for each shrink fit chuck, shorter heating periods and lower chuck temperatures. Due to that, shorter cycle times, short cooling times and a longer tool life can be achieved.

SOLUTIONS FOR EVERY APPLICATION

The different versions of the toolmanic series offer the optimal solution for any application. Also due to the help of a modular system, the shrink fit devices can be extended for your specific needs. For example, the toolmanic S20 can be extended with a cooling unit or the toolmanic S30 can be extended with the base cabinet.



S20



COOLING UNIT

Shrinking only	<input checked="" type="checkbox"/>	
Shrinking and cooling		
Modular system	<input checked="" type="checkbox"/>	<input checked="" type="checkbox"/>
Cooling*		<input checked="" type="checkbox"/>
Standard coil	<input checked="" type="checkbox"/>	
Iris coil	<input checked="" type="checkbox"/>	
12,5" Touchscreen		
Base cabinet		
Weight	70 kg	55 kg
Voltage	400 V / 16 A / 11 kw	230 V / 4,2 A / 0,58 kw
Dimensions WxDxH	594 x 590 x 950 mm	570 x 590 x 950 mm
Order No.	SG-S20-01	SG-C20-01

*Cooling fluid NALCO CCL 100.



S20C



125 kg

400 V / 16 A / 11 kw + Cooling unit 230 V / 4,2 A / 0,58 kw

1164 x 590 x 950 mm

SG-S20C-01



S30



280 kg

400 V / 16 A / 11 kw

1194 x 590 x 1974 mm

SG-S30-1000-01

Base cabinet: SG-S30T-01

SCHÜSSLER ACCESSORIES

Schüssler original accessories expand the application area of the toolmanic. The result is increased process reliability and overall better work processes for optimal shrinking results.



- ① **Stop discs**
With the help of stop discs, shrink fit chucks of each diameter can be shrunk.

Stop discs Ø	3–5 mm; 6–10 mm; 12–16 mm; 18–20 mm; 25–32 mm
Order No.	SG-A10-001; 002; 003; 004; 005

- ② **Base holder**
To hold chuck supports of all sizes:

Steep taper	30/40/50
Order No.	SG-A20-730; 740; 750
Hollow shank taper	32/40/50/63/80/100
Order No.	SG-A20-6032; 6040; 6050; 6063; 6080; 6100
CORUM	4/5/6/8
Order No.	SG-A20-340; 350; 360; 380





③ Reduction sleeves

Reduction sleeves help to cool any size of shrink fit chuck. Each cooling adapter can be reduced to the appropriate size of the chuck.

Small cooling adapter Ø 14-16 mm	3-5 mm; 6-8 mm;
Order No.	SG-A30-0305; 0608
Large cooling adapter Ø 25-32 mm	6-8 mm; 10-12 mm; 14-16 mm, 18-20 mm
Order No.	SG-A31-0608; 1012; 1416; 1820

Other accessories

For optimal process reliability:

- Length presetting
- Gloves

LEAD IN YOUR PRODUCTION

Safety

Large storage areas, covering of hot surfaces and easy operation of the induction coil or cooling adapters guarantee ergonomic and process-safe working without the possibility of injury.

Cost-effectiveness

Since Schüssler offers everything from a single source, all shrink fit devices, base holders, and shrink fit chucks are perfectly complemented to each other. This results in high process reliability and consistent high quality in the shrinking process.

Contact cooling technology

Cooling adapters for each size of chuck, which evenly and gently remove the heat from the tool holder. The shrink fit chuck remains dry and rust-free.

Great variety of applications

Shrinking of tools with a taper size up to max. SK 50 / HSK 100/ C8 and a tool length up to max. 560 mm.

Patented coil technology

A patented induction coil technology guarantees optimized heating parameters for each size of shrink fit chuck which leads to shorter heating times and lower tool holder temperatures therefore shorter cycle times and a longer tool life can be achieved

Modular system

Due to the modular system the toolmanic shrink units can be expanded and adjusted to your application.

Availability

Each of the standard shrink fit units are available at a short notice. All our standard shrink fit chucks are directly available.

Environmentally friendly

Due to the 25-30 % reduced energy consumption in the shrinking process, shrinking with the toolmanic is much more environmentally friendly compared to other manufactures.

Balance Accuracy

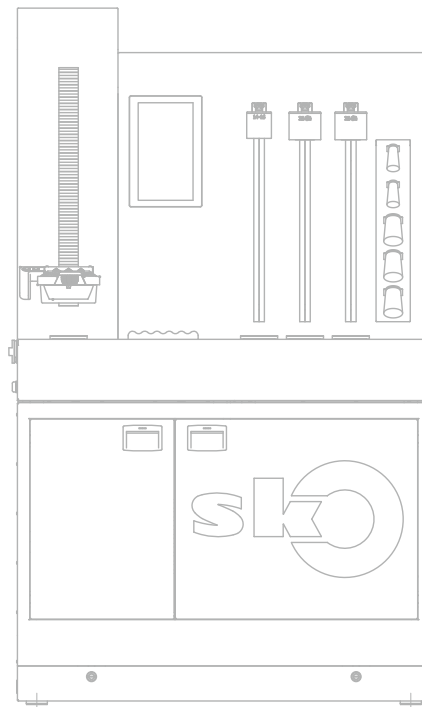
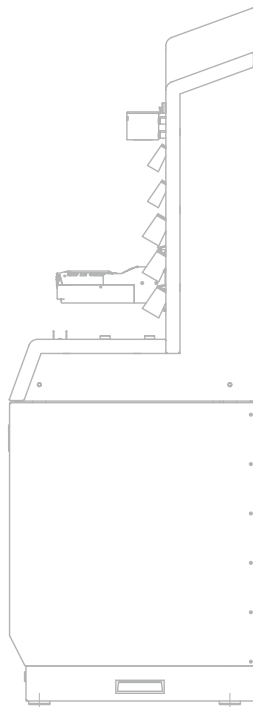
All Schüssler tool holders are fine balanced to G2,5 at 25.000 min⁻¹ or max. residual imbalance <= 1 gmm.

Runout tolerances

We guarantee runout tolerances < 3 μ for each of our shrink fit chucks

Made in Germany

Schüssler has been manufacturing in Bodelshausen Germany for almost five decades. As a traditional, owner-managed family business, Schüssler stands for reliability, German thoroughness, and solution competence as well as fast reaction capability





toolmanic S30



sk
the μ -maker
SCHÜSSLER



SCHÜSSLER Tool Holding Systems – Your Lead in Production!



MADE IN GERMANY

Brilliant performance from Bodelshausen

For over 50 years, we, the Schüssler company, have been manufacturing our tool holders exclusively in Bodelshausen. Today we are one of the leading manufacturers and enjoy an excellent reputation worldwide. Our products are manufactured at the highest quality level.

We guarantee the durability of our tool holders and offer an excellent price-performance ratio. Our experienced sales team is always at your disposal providing a friendly, committed and competent service.

Our product range (excerpt):

- Collet chucks-ER and ER “Mini”
- HAWK EYE® HPC-Precision ER-collet chucks and HAWK EYE “Mini”
- Shrink fit chucks 4,5° and 3° (slim)
- Endmill holders Weldon
- Tool holders with coolant for “Cool Tool” version
- Shell mill holders
- Shrink fit machines + accessories

Our tool holders are available in all standard taper shanks, such as:

- HSK-A 40/50/63/80/100
- HSK-E 32/40/50 and HSK-F 63
- SK 40 and 50 DIN 69871 Form AD/B
- MAS BT 30/40/50 and BT with double contact BTD 30/40
- Polygon shank “CORUM” C4/5/6/8

All types of tool holders are generally available in various lengths and are always fine-balanced G 2,5 at 25.000 min⁻¹.

Karl Schüssler GmbH & Co. KG
Bahnhofstraße 108
D-72411 Bodelshausen
Telefon: +49 74 71 / 95 90-0
info@k-schuessler.de



sk
the μ -maker
SCHÜSSLER